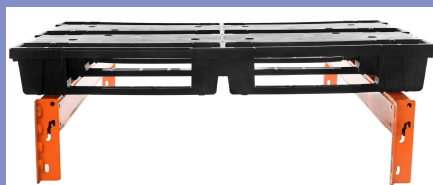


Pallet

Nestable - rackable 800 x 1200

Article ref: SF 800 NR



<http://www.smart-flow.com>

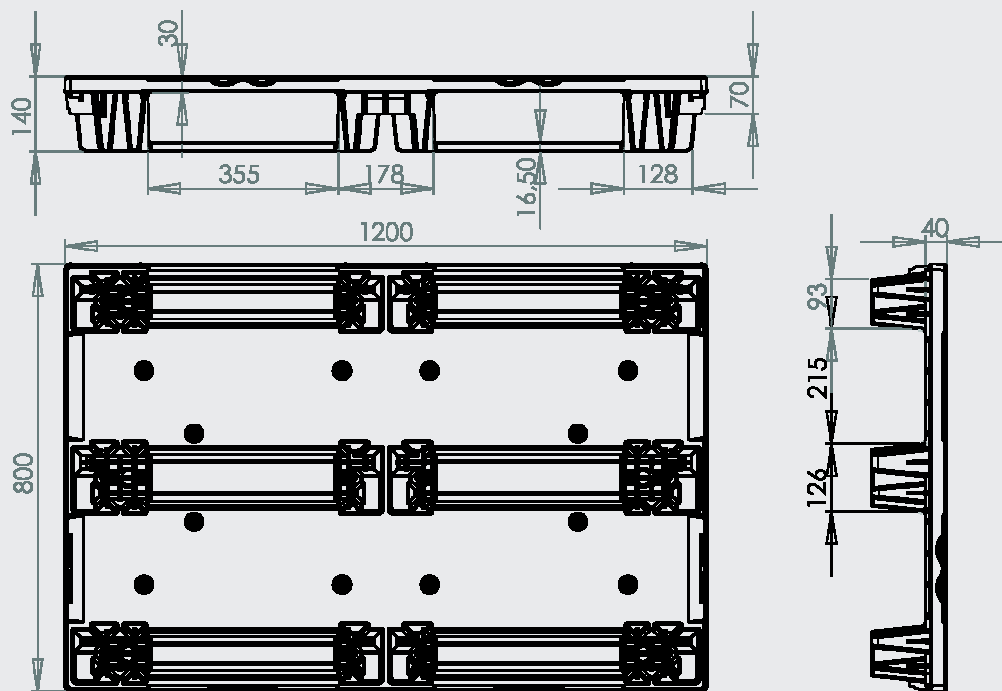
Smart Flow Europe sa – rue du Plavitout 133 – B-7700 Mouscron, Belgium
info@smart-flow.com – Tél. +32 (0) 56 28 26 90 – Fax +32 (0) 56 28 26 99

Pallet

Nestable - rackable 800 x 1200

Article ref: SF 800 NR

Technical drawing



Technical datasheet

Description:	Pallet nestable - rackable, stackable, solid deck, with or without rims of 7mm. The Smartflow pallet is moulded in one part.
Dimensions:	Length: 1200 mm / Width: 800 mm / Height: 140 mm
Options:	Extra rims (7 mm) give more stability to your load. Antislip dots.
Weight:	7,5 kg (± 2%)
Material:	HDPE recycled or virgin
Mechanical resistance:	Static: 800 kg – Dynamic: 800 kg – Rack: 400 kg*
Hygiene:	Easy to clean due to open structure. The pallet doesn't absorb any liquids.
Recyclable:	This pallet is fully recyclable.

Standard truck :	Pallets per stack 36	Number of stack 33	Total 1188
-------------------------	-------------------------	-----------------------	---------------

* The mechanical resistance is measured with a filmed charge, equally divided all over the pallet.